



Compact Cylinder | UNITOP



Compact Cylinder | UNITOP

page 38

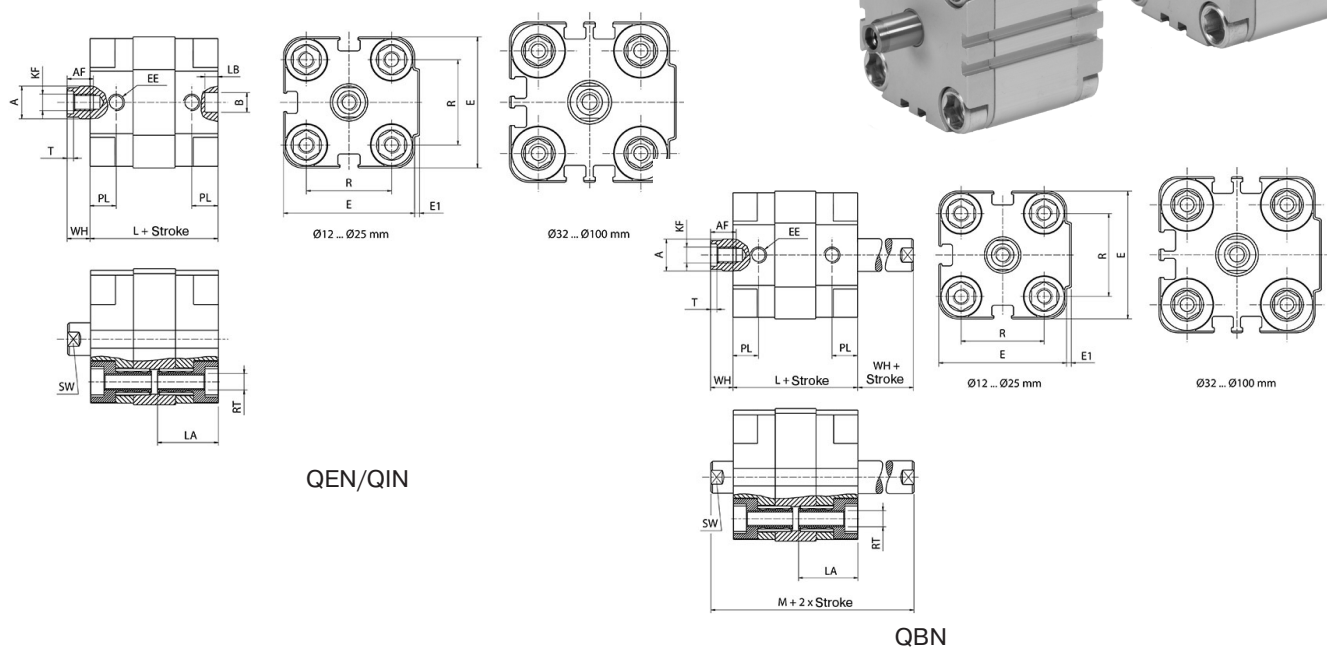
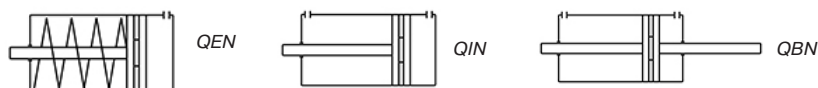
Technical information	
Diameter	Ø12 - Ø16 - Ø20 - Ø25 - Ø32 - Ø40 - Ø50 - Ø63 - Ø80 - Ø100 mm
Stroke	10 - 25 - 50 - 80 - 100 - 125 - 160 - 200 mm (Depending on diameter)
	<input type="checkbox"/> Single acting <input type="checkbox"/> Double acting
Medium	Air
Pressure range	1 ... 10 bar
Temperature range	-20°C ... +80°C FPM version 0°C ... +150°C
Below 0°C air has to be dried.	
Materials	
Tube	Anodized aluminum
Heads	Anodized aluminum
Piston	Aluminum
Piston rod	Ø12 ... Ø25 stainless steel / Ø32 ... Ø100 chromed steel
Guide bushing	Sintered bronze
Seals	PUR, NBR/FPM (depending on type)

Q	I	N	V	20	/	80	Ex
				DIAMETER		STROKE	OPTIONS
				12		5	Ex ATEX version
				16		10	
				20		25	
				25		40	
				32		50	
				40		80	
				50		100	
				63		125	
				80		160	
				100		200	
SEALS							
				WITHOUT	Standard seals		
				K	FPM Piston		
				H	FPM seals (for type QE)		
				V	FPM seals (for type QI, QB and QINT)		
VERSION							
				NV	Spring pushes piston rod out, piston rod with female thread (for type QE)		
				FV	Spring pushes piston rod out, piston rod with male thread (for type QE)		
				N	Piston rod with female thread		
				F	Piston rod with male thread		
				NT	Non-rotating piston rod (for type QI)		
FUNCTION							
				E	Single acting		
				I	Double acting		
				B	Double acting, through piston rod		

Type QINTV is only available from diameter 16 mm.



QEN/QIN/QBN



Ø [mm]	A	B	E	E1	L	M	R	T	AF
Ø 12	6	6	29	1	35 (38)*	50 (47)*	18	1,5	6
Ø 16	8	6	29	1	35 (38)*	52 (47)*	18	2	8
Ø 20	10	6	36	1,5	39 (38)*	53 (47)*	22	2	8
Ø 25	10	6	40	1,5	39 (39,5)*	53 (50,5)*	26	2	8
Ø 32	12	6	50	2	42 (44,5)*	56 (56,5)*	32	2,8	10
Ø 40	12	6	60 (58*)	2,5	45,5	62,5 (58,5)*	42	2,8	10
Ø 50	16	6	68 (67)*	3	45,5	65,5 (60,5)*	50	3,5	12
Ø 63	16	8	87 (80)*	4	51 (50)*	72 (65)*	62	3,5	12
Ø 80	20	8	107 (100)*	4	62 (56)*	88 (72)*	82	4,5	16
Ø 100	25	8	128 (124)*	5	68 (66,5)*	99 (86,5)*	103	6	20

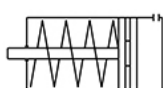
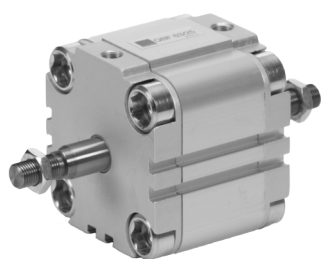
Ø [mm]	EE	KF	LA	LB	PL	RT	SW	WH
Ø 12	M5	M3	16	4	6,5 (8)*	M4	5	7,5 (4,5)*
Ø 16	M5	M4	16	4	6,5 (8)*	M4	7	8,5 (4,5)*
Ø 20	M5	M5	18,5	4	8	M5	9	7 (4,5)*
Ø 25	M5	M5	18,5	4	8	M5	9	7 (5,5)*
Ø 32	G 1/8"	M6	21,5	4	6,5 (8)*	M6	10	7 (6)*
Ø 40	G 1/8"	M6	21,5	4	7,5 (8)*	M6	10	8,5 (6,5)*
Ø 50	G 1/8"	M8	23,5	4	7,5 (8)*	M8	13	10 (7,5)*
Ø 63	G 1/8"	M8	28,5	4	7,5 (8)*	M10	13	10,5 (7,5)*
Ø 80	G 1/8"	M10	28,5	4	9,5 (8,5)*	M10	17	13 (8)*
Ø 100	G 1/4"	M12	28,5	4	10,5	M10	22	15,5 (10)*

* For cylinders type QENK, QENH, QEFK, QEFH, QENVK, QENVH, QEFVK, QEFVH, QINK, QINV, QIFK, QIFV, QBNK, QBNV, QBFK, QBFV, QINTK, QINTV



QEF/QIF/QBF

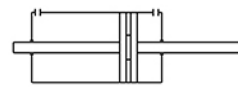
page 40



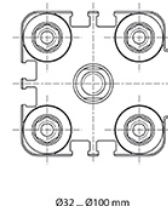
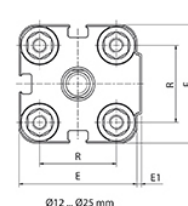
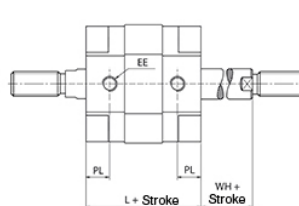
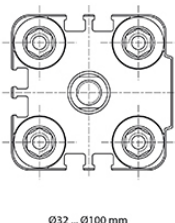
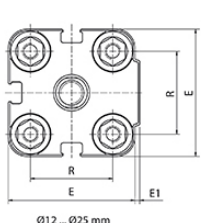
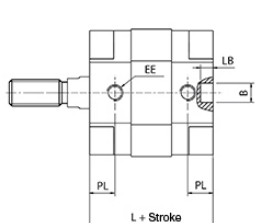
QEF



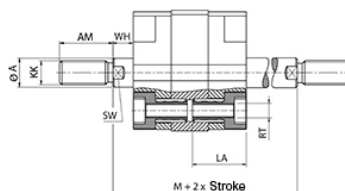
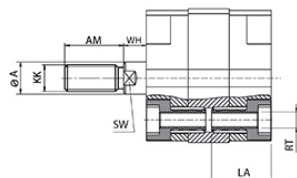
QIF



QBF



QEF/QIF



QBF

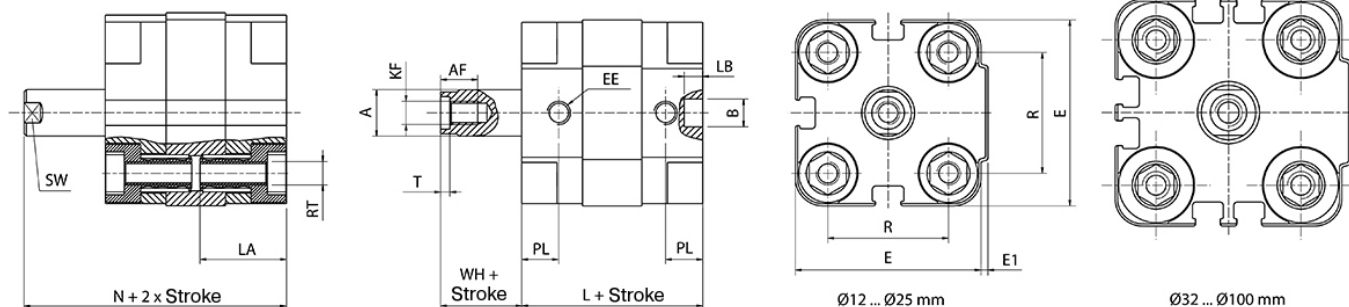
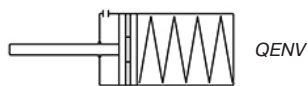
Ø [mm]	A	B	E	E1	L	M	R	T	AM
Ø 12	6	6	29	1	35 (38)*	50 (47)*	18	1,5	16
Ø 16	8	6	29	1	35 (38)*	52 (47)*	18	2	20
Ø 20	10	6	36	1,5	39 (38)*	53(47)*	22	2	22
Ø 25	10	6	40	1,5	39 (39,5)*	53 (50,5)*	26	2	22
Ø 32	12	6	50	2	42(44,5)*	56 (56,5)*	32	2,8	22
Ø 40	12	6	60 (58*)	2,5	45,5	62,5 (58,5)*	42	2,8	22
Ø 50	16	6	68 (67)*	3	45,5	65,5 (60,5)*	50	3,5	24
Ø 63	16	8	87 (80)*	4	51 (50)*	72 (65)*	62	3,5	24
Ø 80	20	8	107 (100)*	4	62 (56)*	88 (72)*	82	4,5	32
Ø 100	25	8	128 (124)*	5	68 (66,5)*	99 (86,5)*	103	6	40

Ø [mm]	EE	KK	LA	LB	PL	RT	SW	WH
Ø 12	M5	M6	16	4	6,5 (8)*	M4	5	7,5 (4,5)*
Ø 16	M5	M8	16	4	6,5 (8)*	M4	7	8,5 (4,5)*
Ø 20	M5	M10x1,25	18,5	4	8	M5	9	7 (4,5)*
Ø 25	M5	M10x1,25	18,5	4	8	M5	9	7 (5,5)*
Ø 32	G 1/8"	M10x1,25	21,5	4	6,5 (8)*	M6	10	7 (6)*
Ø 40	G 1/8"	M10x1,25	21,5	4	7,5 (8)*	M6	10	8,5 (6,5)*
Ø 50	G 1/8"	M12x1,25	23,5	4	7,5 (8)*	M8	13	10 (7,5)*
Ø 63	G 1/8"	M12x1,25	28,5	4	7,5 (8)*	M10	13	10,5 (7,5)*
Ø 80	G 1/8"	M16x1,5	28,5	4	9,5 (8,5)*	M10	17	13 (8)*
Ø 100	G 1/4"	M20x1,5	28,5	4	10,5	M10	22	15,5 (10)*

* For cylinders type QENK, QENH, QEFK, QEFH, QENVK, QENVH, QEFVK, QEFVH, QINK, QINV, QIFK, QIFV, QBNK, QBNV, QBFK, QBFV, QINTK, QINTV



QENV



Ø [mm]	A	B	E	E1	L	N	R	T	AF
Ø 12	6	6	29	1	35 (38)*	42,5	18	1,5	6
Ø 16	8	6	29	1	35 (38)*	43,5 (42,5)*	18	2	8
Ø 20	10	6	36	1,5	39 (38)*	46 (42,5)*	22	2	8
Ø 25	10	6	40	1,5	39 (39,5)*	46 (45)*	26	2	8
Ø 32	12	6	50	2	42(44,5)*	49 (50,5)*	32	2,8	10
Ø 40	12	6	60 (58*)	2,5	45,5	54 (52)*	42	2,8	10
Ø 50	16	6	68 (67)*	3	45,5	55,5 (53)*	50	3,5	12
Ø 63	16	8	87 (80)*	4	51 (50)*	61,5 (57,5)*	62	3,5	12
Ø 80	20	8	107 (100)*	4	62 (56)*	75 (64)*	82	4,5	16
Ø 100	25	8	128 (124)*	5	68 (66,5)*	83,5 (76,5)*	103	6	20

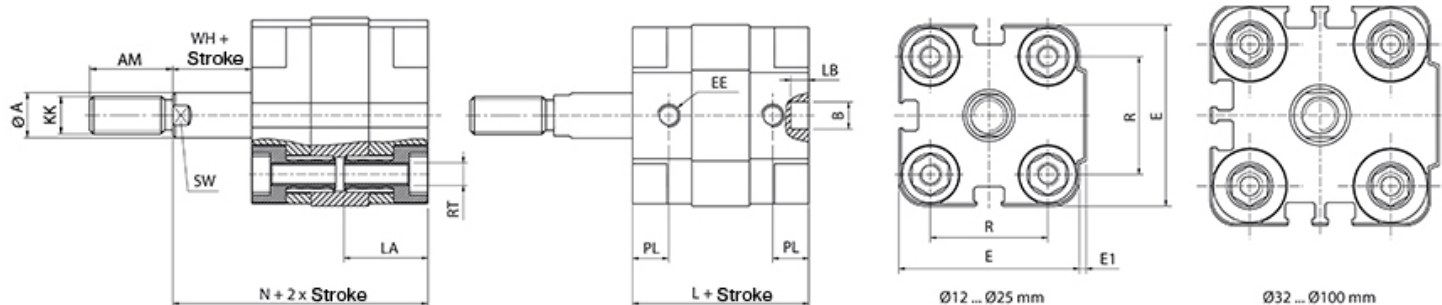
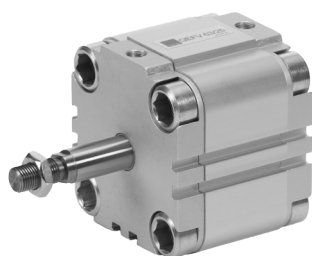
Ø [mm]	EE	KF	LA	LB	PL	RT	SW	WH
Ø 12	M5	M3	16	4	6,5 (8)*	M4	5	7,5 (4,5)*
Ø 16	M5	M4	16	4	6,5 (8)*	M4	7	8,5 (4,5)*
Ø 20	M5	M5	18,5	4	8	M5	9	7 (4,5)*
Ø 25	M5	M5	18,5	4	8	M5	9	7 (5,5)*
Ø 32	G 1/8"	M6	21,5	4	6,5 (8)*	M6	10	7 (6)*
Ø 40	G 1/8"	M6	21,5	4	7,5 (8)*	M6	10	8,5 (6,5)*
Ø 50	G 1/8"	M8	23,5	4	7,5 (8)*	M8	13	10 (7,5)*
Ø 63	G 1/8"	M8	28,5	4	7,5 (8)*	M10	13	10,5 (7,5)*
Ø 80	G 1/8"	M10	28,5	4	9,5 (8,5)*	M10	17	13 (8)*
Ø 100	G 1/4"	M12	28,5	4	10,5	M10	22	15,5 (10)*

* For cylinders type QENK, QENH, QEFK, QEFH, QENVK, QENVH, QEFVK, QEFVH, QINK, QINV, QIFK, QIFV, QBNK, QBNV, QBFK, QBFV, QINTK, QINTV



QEFV

page 42



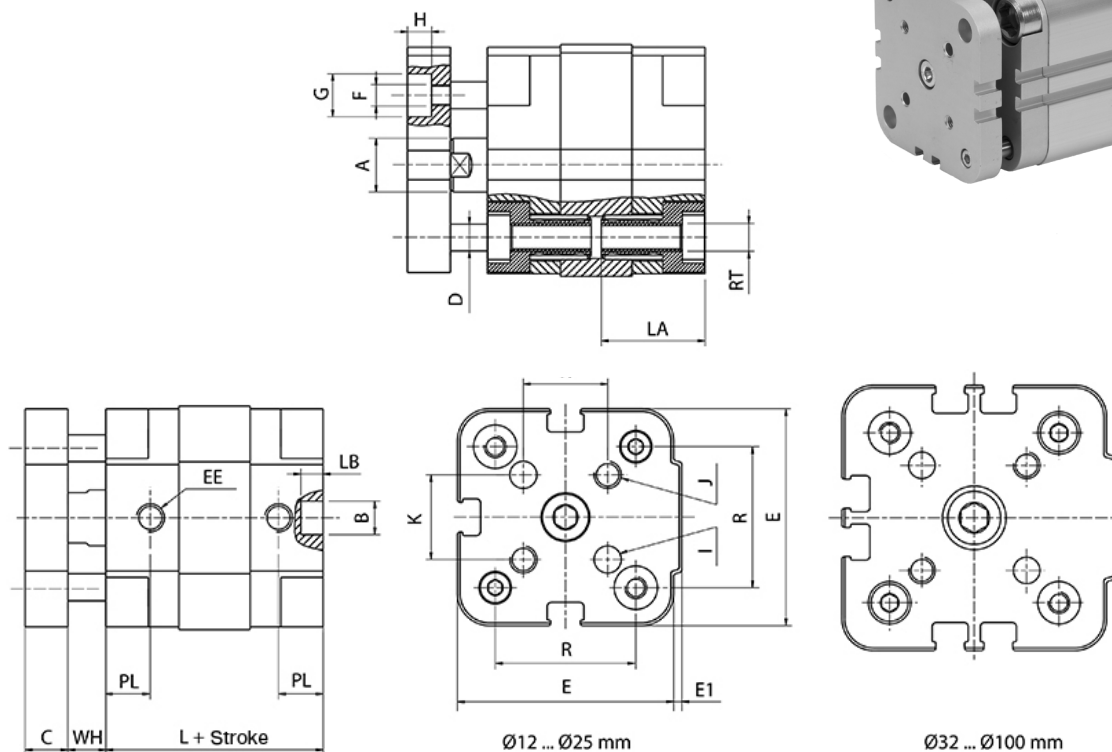
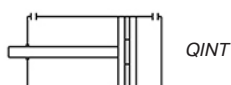
\varnothing [mm]	A	B	E	E1	L	N	R	T	AM
$\varnothing 12$	6	6	29	1	35 (38)*	42,5	18	1,5	16
$\varnothing 16$	8	6	29	1	35 (38)*	43,5 (42,5)*	18	2	20
$\varnothing 20$	10	6	36	1,5	39 (38)*	46 (42,5)*	22	2	22
$\varnothing 25$	10	6	40	1,5	39 (39,5)*	46 (45)*	26	2	22
$\varnothing 32$	12	6	50	2	42(44,5)*	49 (50,5)*	32	2,8	22
$\varnothing 40$	12	6	60 (58*)	2,5	45,5	54 (52)*	42	2,8	22
$\varnothing 50$	16	6	68 (67)*	3	45,5	55,5 (53)*	50	3,5	24
$\varnothing 63$	16	8	87 (80)*	4	51 (50)*	61,5 (57,5)*	62	3,5	24
$\varnothing 80$	20	8	107 (100)*	4	62 (56)*	75 (64)*	82	4,5	32
$\varnothing 100$	25	8	128 (124)*	5	68 (66,5)*	83,5 (76,5)*	103	6	40

\varnothing [mm]	EE	KK	LA	LB	PL	RT	SW	WH
$\varnothing 12$	M5	M6	16	4	6,5 (8)*	M4	5	7,5 (4,5)*
$\varnothing 16$	M5	M8	16	4	6,5 (8)*	M4	7	8,5 (4,5)*
$\varnothing 20$	M5	M10x1,25	18,5	4	8	M5	9	7 (4,5)*
$\varnothing 25$	M5	M10x1,25	18,5	4	8	M5	9	7 (5,5)*
$\varnothing 32$	G 1/8"	M10x1,25	21,5	4	6,5 (8)*	M6	10	7 (6)*
$\varnothing 40$	G 1/8"	M10x1,25	21,5	4	7,5 (8)*	M6	10	8,5 (6,5)*
$\varnothing 50$	G 1/8"	M12x1,25	23,5	4	7,5 (8)*	M8	13	10 (7,5)*
$\varnothing 63$	G 1/8"	M12x1,25	28,5	4	7,5 (8)*	M10	13	10,5 (7,5)*
$\varnothing 80$	G 1/8"	M16x1,5	28,5	4	9,5 (8,5)*	M10	17	13 (8)*
$\varnothing 100$	G 1/4"	M20x1,5	28,5	4	10,5	M10	22	15,5 (10)*

* For cylinders type QENK, QENH, QEFK, QEFH, QENVK, QENVH, QEFVK, QEFVH, QINK, QINV, QIFK, QIFV, QBNK, QBNV, QBFK, QBFV, QINTK, QINTV



QINT



Ø [mm]	A	B	C	D	E	E1	F	G	H	I
Ø 12	6	6	5	4	29	1	M3	6	3,5	3
Ø 16	8	6	5 (6)*	4 (5)*	29	1	M3	6	3,5 (3,8)*	3
Ø 20	10	6	8 (5)*	6 (5)*	36	1,5	M3	6	3,5 (5)*	4
Ø 25	10	6	8	6	40	1,5	M4	8	4,5 (5)*	5
Ø 32	12	6	10	6 (8)*	50	2	M4	8	5,5 (6,5)*	5
Ø 40	12	6	10	6 (10)*	60	2,5	M4	8	5,5 (6,5)*	5
Ø 50	16	6	12	8 (10)*	68	3	M6	11	7 (7,5)*	6
Ø 63	16	8	12	8 (10)*	87	4	M6	11	7 (7,5)*	6
Ø 80	20	8	14	12 (14)*	107	4	M8	14	9	8
Ø 100	25	8	14	12 (14)*	128	5	M8	14	9 (10)*	10

Ø [mm]	J	K	L	R	EE	LA	LB	PL	RT	WH
Ø 12	M3	9,9	35	18	M5	16	4	6,5	M4	7,5
Ø 16	M3	9,9	35 (38)*	18	M5	16	4	6,5 (8)*	M4	8,5 (4,5)*
Ø 20	M4	12	39 (38)*	22	M5	18,5	4	8	M5	7 (4,5)*
Ø 25	M5	15,6	39 (39,5)*	26	M5	18,5	4	8	M5	7 (5,5)*
Ø 32	M5	19,8	42 (44,5)*	32	G 1/8"	21,5	4	6,5 (8)*	M6	7 (6)*
Ø 40	M5	23,3	45,5	42	G 1/8"	21,5	4	7,5 (8)*	M6	8,7 (6,5)*
Ø 50	M6	29,7	45,5	50	G 1/8"	23,5	4	7,5 (8)*	M8	10,2 (7,5)*
Ø 63	M6	35,4	51 (50)*	62	G 1/8"	28,5	4	7,5 (8)*	M10	10,5 (7,5)*
Ø 80	M8	46	62 (56)*	82	G 1/8"	28,5	4	9,5 (8,5)*	M10	12 (8)*
Ø 100	M10	56,5	68 (66,5)*	103	G 1/4"	28,5	4	10,5	M10	15,5 (10)*

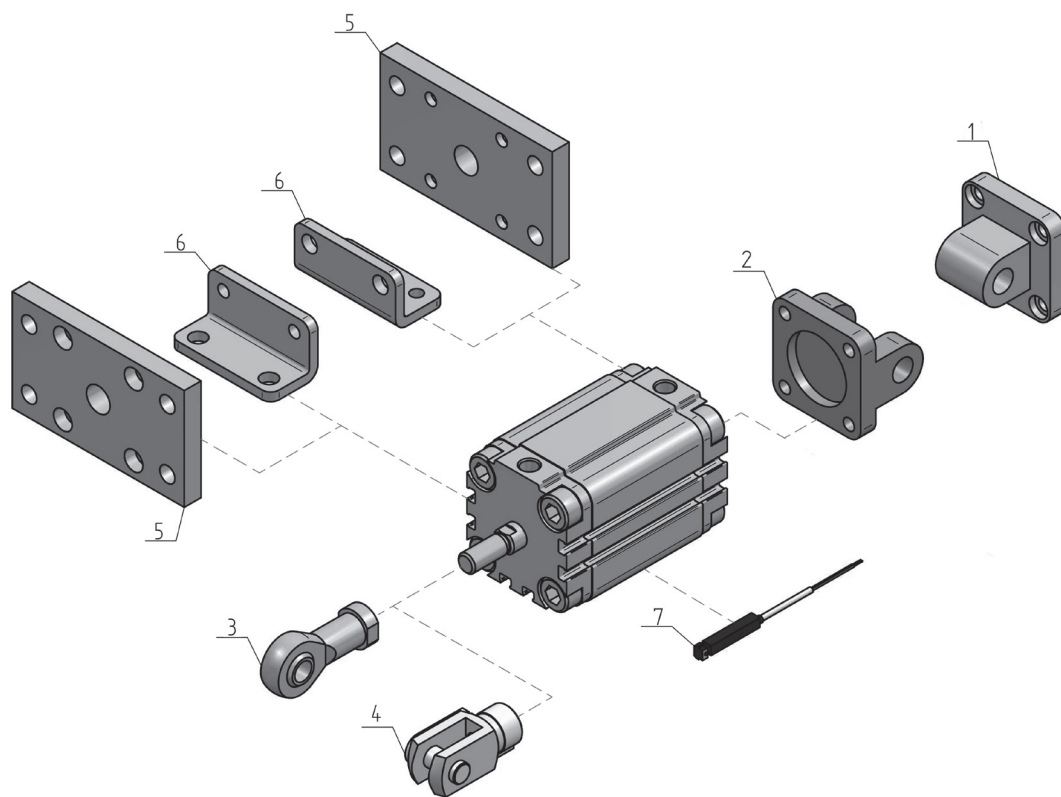
Type QINTV is only available from diameter 16 mm.

* For cylinders type QENK, QENH, QEFK, QEFH, QENVK, QENVH, QEFVK, QEFVH, QINK, QINV, QIFK, QIFV, QBNK, QBNV, QBFK, QBFV, QINTK, QINTV



Accessories Compact Cylinder | UNITOP

page 44



Part	Type	Description	Page
1	QCM	Male hinge self lubricating	144
2	QCF	Female clevis bracket	143
3	UK	Rod eye with internal thread	130
3	UKF	Rod eye with external thread	128
4	UV	Clevis with lockable pin	129
5	QFL	Flange	142
6	QCP	Foot mounting	143
7	SKR/SKH	REED / PNP switch	144